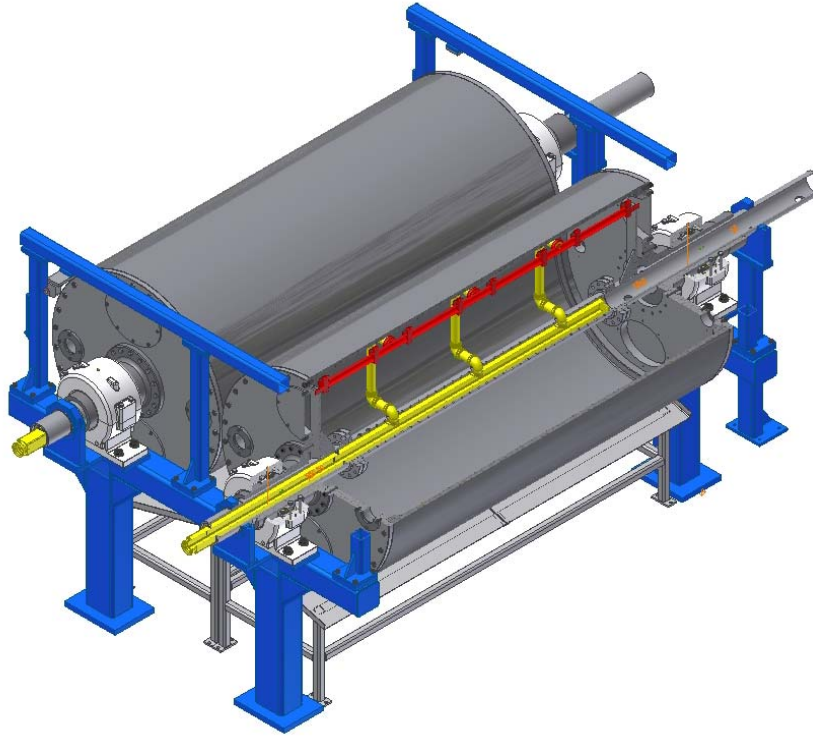




# GL&V

## Gas Fired Drum Dryer

---



### Product Highlights

- Heated rotating shell for drying, cooking, or toasting
- Complete with gas controls
- Complete with framework
- Machine drive and feed systems available
- One or two drum models
- Custom design for each application
- Optional heat recovery

### Benefits

- Upgrade current production capacity in existing available space
- Increase temperature range
- Improve temperature control
- Improve energy efficiency

**Contact: (518) 747-2444**

**Email: [dryers@glv.com](mailto:dryers@glv.com)**

For more detailed information refer to our CD ROM Brochure Catalog

Service products for the Pulp and Paper Industry

\* Albia \* Bagley & Sewall \* Beloit-Jones \* Beloit-Lenox \* Black Clawson-Kennedy \*  
\* Carron \* Celleco \* Downingtown \* Hedemora \* Impco \* LaValley \* Sandy Hill \*

Internet Address: [www.glv.com](http://www.glv.com)

December 15, 2010